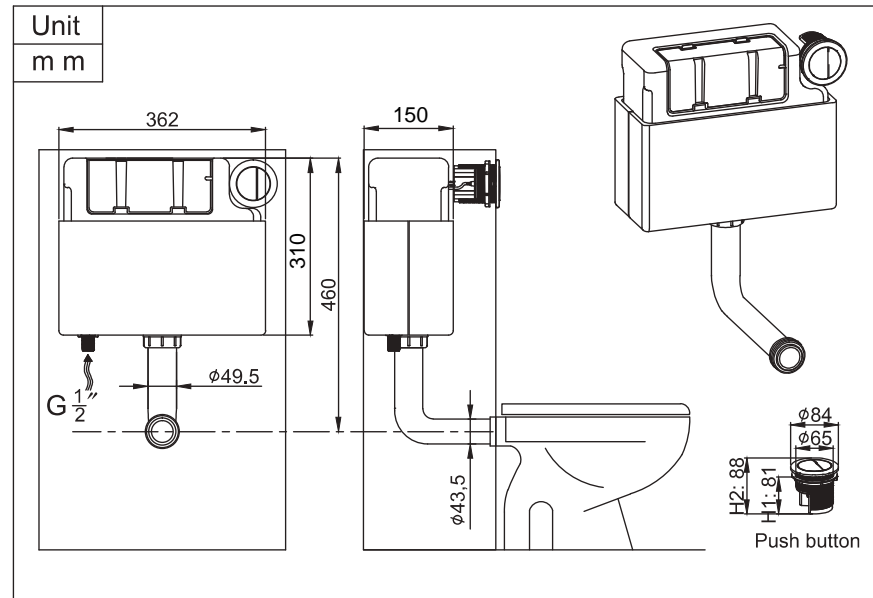
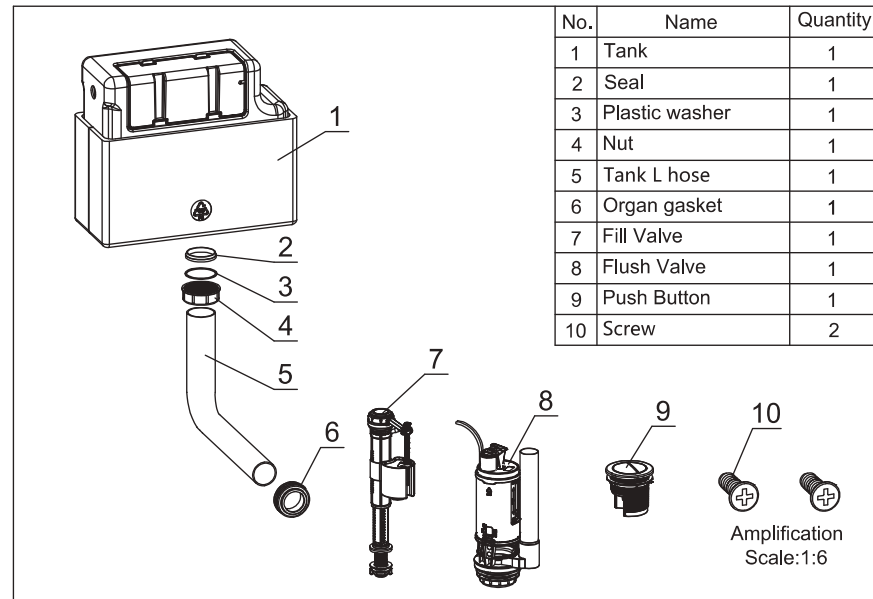


# CYCLONE Concealed Cistern

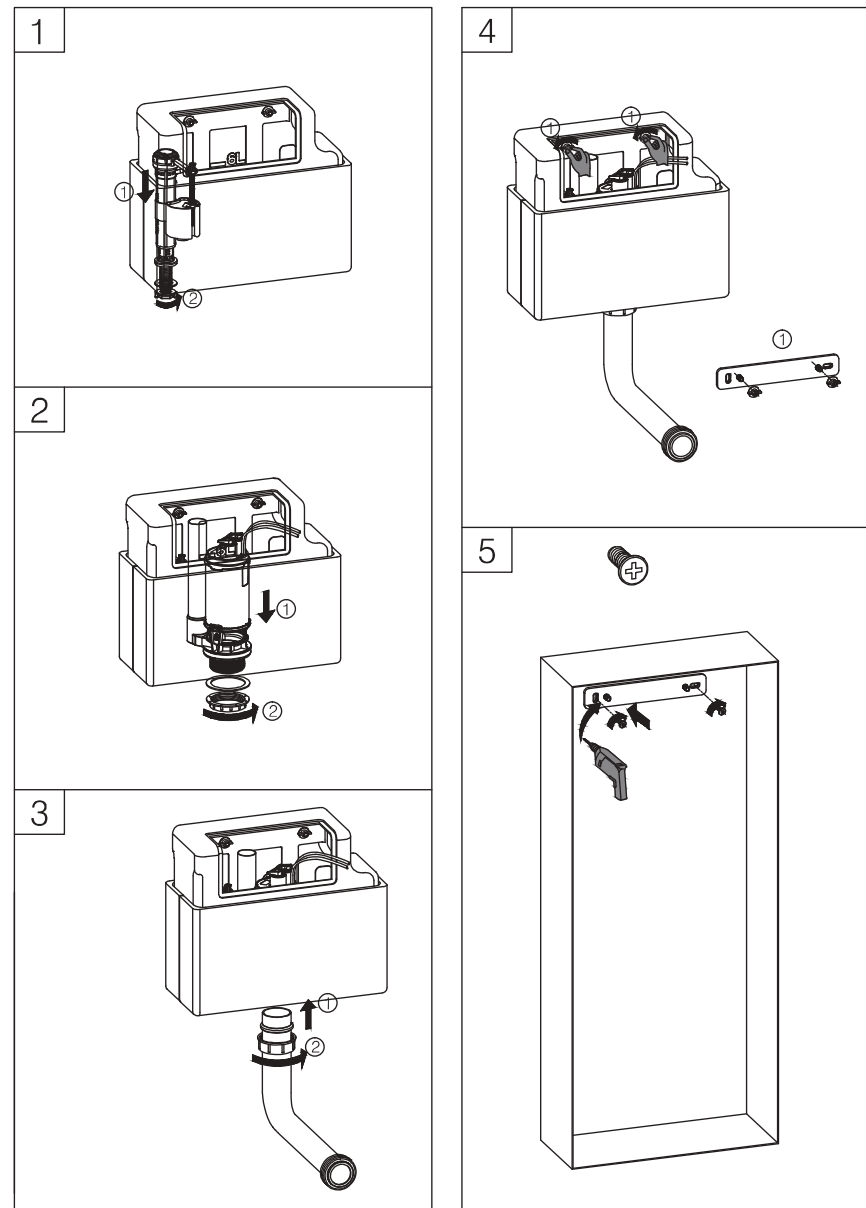
## Installation



### Cleaning

This product should be cleaned using a soft cloth with warm PH neutral soapy water only.  
The product must then be rinsed with clean water to dilute any soap.  
Polish and dry using a soft dry cloth after every use

## Installation



## Installation

Mark the position of the button on the front top fascia of the w.c unit or ducting. Ensure that there is enough room for the button housing behind the fascia. Fix the button into position by tightening the back nut. Clip the button housing onto the button ensuring that the cable is not kinked or bent

